

# SULZER

Sulzer Chemtech

## Maintenance, revamp, installation, and weld overlay services



# Worldwide maintenance and installation services

---

Sulzer Chemtech provides comprehensive services for towers and vessels, site fabrication, revamps and retrofits, maintenance turnarounds, static equipment maintenance, automated weld overlay, installation, and project management



---

## World class personnel

As a leading provider of specialized field services, Sulzer is a global expert in plant retrofits, upgrades and maintenance services. With over 40 years of experience in enhancing tower and vessel performance. We offer our customers safe, cost effective and reliable solutions from specialized and qualified engineering teams

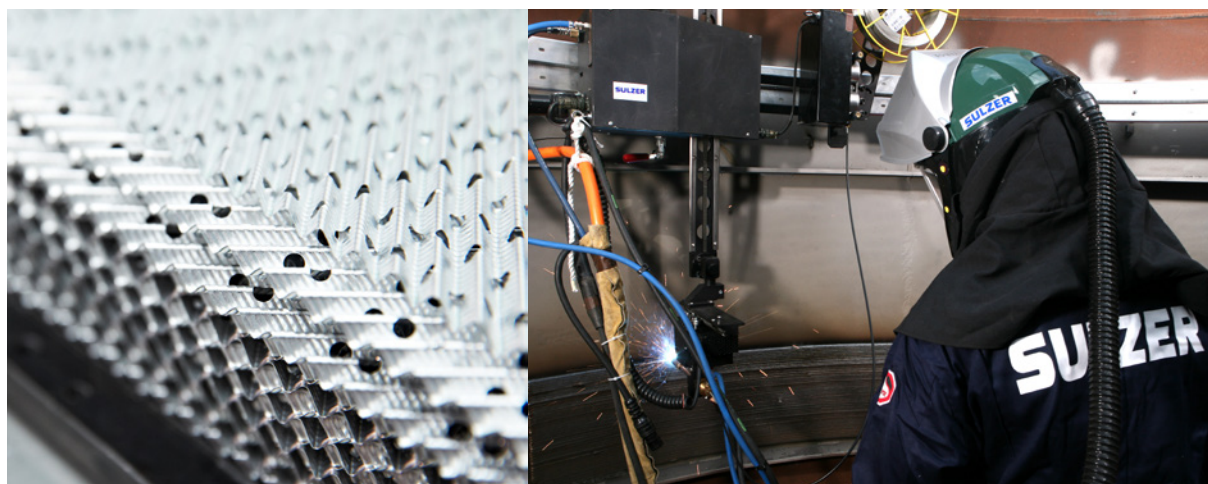
Our service facilities are located in the USA, Canada, Mexico, United Kingdom, Germany, Saudi Arabia, India, Thailand, Singapore, China and Australia. Each service facility has the capabilities to meet the demand of the local market.

Tower Field Service has become the global leader providing clients with high quality services, reducing downtime, increased lifespan and exceptional delivery

# Installation of any process equipment regardless of manufacturing source

Sulzer Chemtech has the experience and capability to provide installation services for new equipment and capital expansion projects worldwide.

Tower Field Service is focused on maintaining the highest possible standards for all clients over 40 year history with a team that understands the process of consistently delivering results under tight scheduling. Through the experience obtained by our teams, Tower Field Service can provide expert field services that will minimize EPC installation time.



## Client selected equipment

Tower Field Service personnel have extensive knowledge of all types of vessel and tower internals both Sulzer and non-Sulzer manufactured equipment enabling us to support our client for all their internals equipment installation requirements.

Tower Field Service work closely with Sulzer's separation technology to provide a turnkey solution for clients. Our portfolio includes state of art products for distillation, absorption, stripping, evaporation, phase separation, liquid-liquid extraction, and crystallization.

## Global service

Our global presence and resource network enable Tower Field Service to deliver a cost-effective solution no matter the location of the client facility.

In locations throughout the world Tower Field Service has successfully completed numerous major capital expenditure projects installing process equipment from various client selected manufacturing sources.

---

# Maintenance turnarounds and asset restoration

---

Tower Field Service offers a complete blind-to-blind service covering isolation, tower manways, internals & tray inspections, tray cleaning, repairs or internals replacement including hardware along with critical corrosion mitigation solutions using automated weld overlay

In addition, we can provide all necessary support services including scaffolding, specialist cleaning, material handling, etc. reducing administration for our clients.

Our global Tower Field Service presence provides the clients with the satisfaction of knowing that no matter where the site location, the high quality of service is maintained by our technicians and skilled workforce.

Supported by the Sulzer global manufacturing network we can supply your internals equipment needs as identified in pre-turnaround planning or during the actual turnaround by our technicians.

---

## Maintenance Services

- Blind-to-blind service
- External tower manways
- Opening and closing internal tray manways
- Tray cleaning
- Inspections and recommendations
- Tray and vessel shell repairs
- Static equipment
- Support services such as scaffolding, specialist cleaning, material handling, etc.
- Automated weld overlay system
- Flexibility in adjusting to changes in scope
- Consignment hardware lockers and trailers
- All replacement internals needs from our global manufacturing network





# World class expertise: revamps, retrofits, modifications and corrosion repairs

---

Sulzer's Tower Field Service has the expertise and experience to ensure that projects are executed with the highest standards of efficiency, safety, and quality. Our extensive depth of technical strength, project and construction management skills assist the client in obtaining the process goals they desire, within the constraints of a shutdown or construction environment.

The challenge to complete multiple tower revamps and retrofits safely and on time is what Tower Field Service most prides itself in.

For tower revamps and retrofits, Tower Field Service can provide a streamlined solution to ensure minimal downtime. A systematic, practical approach for Tower revamping projects is essential in obtaining a successful outcome.

These capabilities have been tested and proven in thousands of projects around the world.

Tower Field Service holds comprehensive ASME and European welding certifications, permitting us to provide complete welding services including:

- Dome replacements
- Sectional replacements
- Field fabricated vessels
- Nozzle installation
- Design and supply of vessels, sections and nozzles
- Corrosion repairs
- On site automated weld overlay
- Tower attachment modifications and
- Complete process change-outs

Our ability to develop innovative solutions to overcome mechanical obstacles has proven beneficial to many of our clients.



Our weld overlay capabilities during your downtime periods, we can quickly mobilize our specialist teams for specific repairs and corrosion protection projects that require weld overlay.

We offer an advanced, automated welding process to repair corroded or eroded areas. By rebuilding the worn area, we can restore an acceptable material thickness and improve the corrosion resistance by using alloys that can withstand harsh conditions

Typical applications of weld overlay that can support include: towers, separator, coker drums, reactors, tanks, digesters, heat exchangers and more.

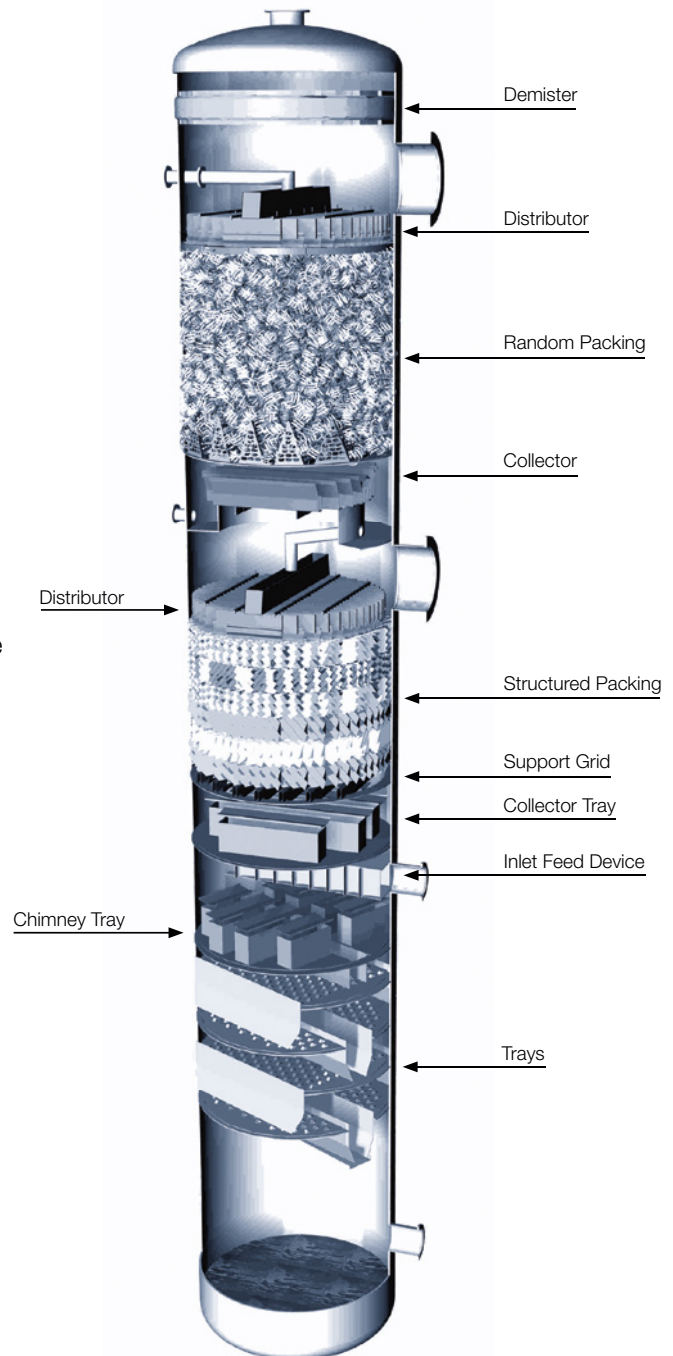
# Turn Around Services (TAS) and replacement equipment for mass transfer components

A single source for all of your turnaround needs

We understand that time saved is money earned. Sulzer Chemtech will provide you with a single source for all of your turnaround needs; replacement equipment, hardware and expert advice

Whether you're facing a major turnaround or column repairs and maintenance, Sulzer Chemtech offers a complete replacement solution

- A complete portfolio of tower hardware from all suppliers
- Consignment hardware lockers and trailers
- Pre shutdown deliveries
- Pre engineering
- 24/7 availability
- Emergency replacement
- Strategic hardware storage places worldwide
- Logistics
- Post shutdown advice



# Consignment hardware lockers and trailers give you total inventory control

To ensure that your turnaround is on time and on budget. We have regional warehouses and offer hardware on consignment. Our teams will custom package hardware for your specific towers and deliver the inventory in trailers and lockers to your site for the duration of your turnaround. Since most hardware is provided on consignment, you only purchase the hardware that is needed. This service provides you with proactive control over your hardware inventory and your budget.

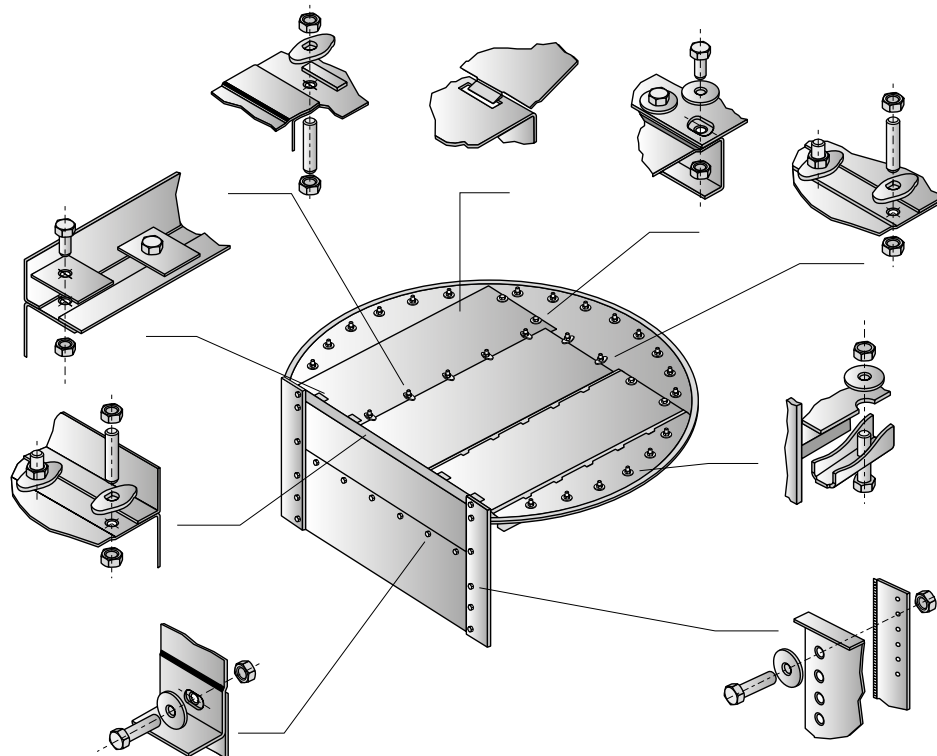
Sulzer Chemtech can supply you with all the tower hardware or equipment your project needs. Whether you are in the middle of a shutdown or just planning ahead, our Team has the right products and services for you. Day or night, one call does it all!

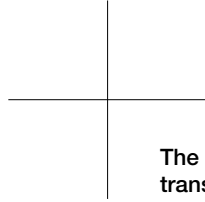
Our large hardware inventory is available for immediate shipment, and our regional ware-



houses are in convenient proximity to our customers, wherever they may be.

Sulzer's hardware trailers and lockers can be stocked with each specific tower's hardware and located on your site for quick and easy access.





**The Chemtech division is the global market leader in innovative mass transfer, static mixing and polymer solutions for petrochemicals, refining and LNG.**

---

Chemtech is also leading the way in ecological solutions such as biopolymers as well as textile and plastic recycling, contributing to a circular economy. Our product offering ranges from technology licensing to process components all the way to complete separation process plants. Customer support ranges from engineering and field services to tray and packing installation, tower maintenance, welding and plant turnaround projects – ensuring minimal downtime.

---

E10737 en 11.2023, Copyright © Sulzer Ltd 2023

This brochure is a general presentation. It does not provide any warranty or guarantee of any kind. Please, contact us for a description of the warranties and guarantees offered with our products. Directions for use and safety will be given separately. All information herein is subject to change without notice.

